



EPS Storage Bag order form

Date _____

Customer _____

Part Number _____

Standard Fabrics

Green/Black 365 CFM Mesh (Virgin)

Clear 85 CFM Mesh (Regrind)

Other _____

Bag Dimensions

A _____

B _____

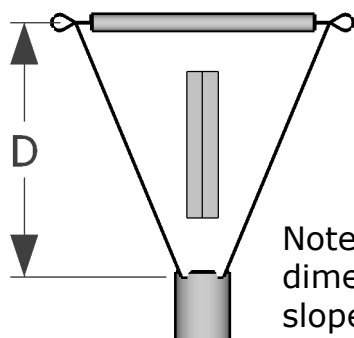
C _____

D _____

E _____

F _____

G _____



Note: "D" is the vertical dimension, not the angled slope measurement

